

### Features

- Metal construction.
- Adjustable handshower sprayface rotates to select wide-coverage or forceful utility spray options.
- MasterClean™ sprayface resists hard water buildup and easy to clean.
- Durable KOHLER finishes resist corrosion and tarnishing.
- Complete range of faucets, accessories and showering components to coordinate a full bathroom.

### Required Products/Accessories

K-97339 Multiproduct Mounting-block



### Codes/Standards



ASME A112.18.1/CSA B125.1  
DOE - Energy Policy Act 1992  
EPA WaterSense®

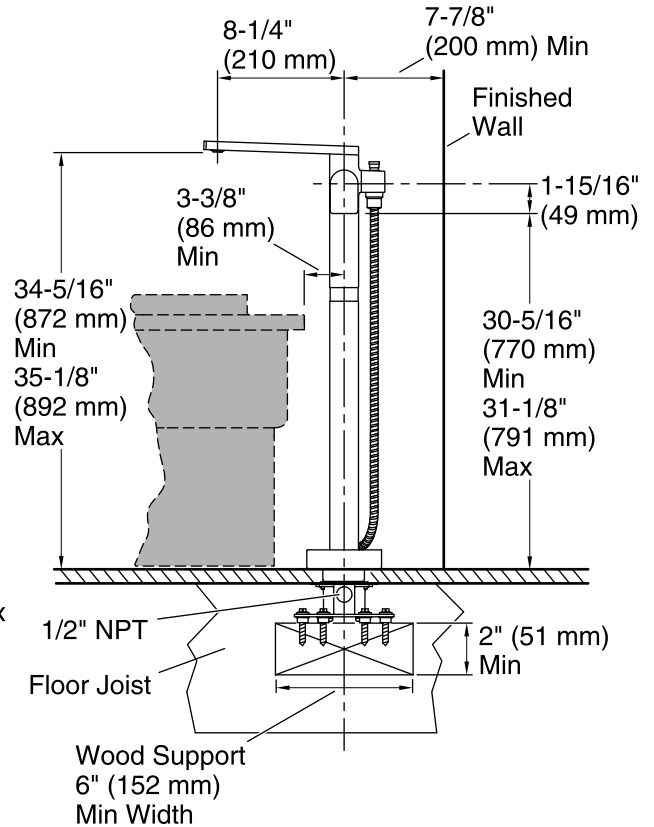
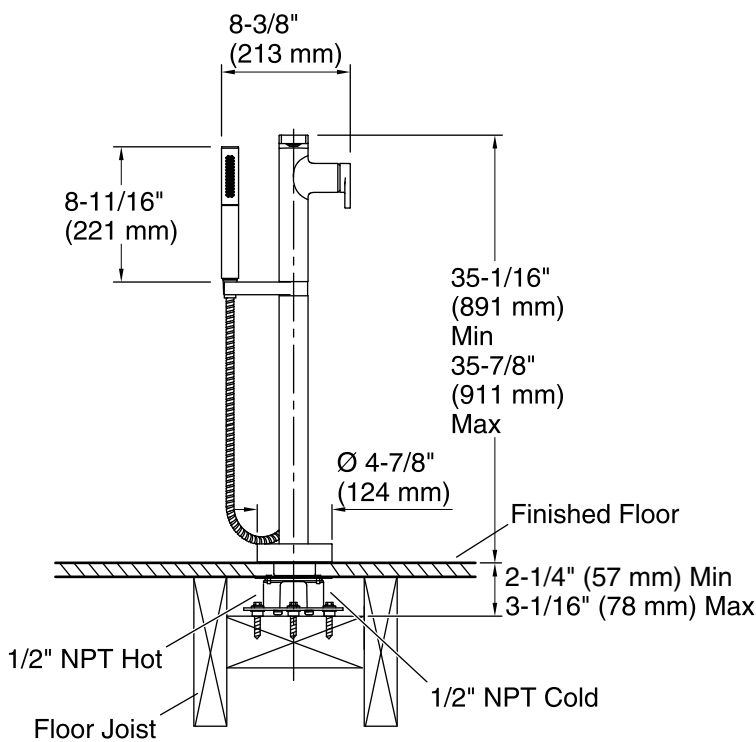
### KOHLER® Faucet Lifetime Limited Warranty

See website for detailed warranty information.

### Available Colors/Finishes

*Color tiles intended for reference only.*

Color	Code	Description
	CP	Polished Chrome
	TT	Titanium



### Technical Information

All product dimensions are nominal.

#### Faucet:

Flow rate: 7.5 gal/min (28.4 l/min)

Pressure: 45 psi (3.1 bar)

#### Spout:

Spout reach: 8-1/4" (210 mm)

Handle clearance: 1-15/16" (50 mm)

#### Handshower:

Rated maximum flow: 2 gal/min (7.6 l/min)

Pressure: 80 psi (5.5 bar)

### Notes

Install this product according to the installation guide.

Adequate floor space is required. The wood support must be a minimum of 2" (51 mm) thick by 6" (152 mm) wide. 2x6 lumber is NOT adequate for this application.

Concrete can be used as the floor support.

Requires a 3/16" masonry drill bit and six 1/4" x 1-3/4" concrete screws, which are not included.