

Features

- Freestanding design creates a striking focal point in your bathing area.
- Dual lumbar support accommodates two-person bathing.
- Wide ledge on one side is ideal for deck-mount faucet and/or handshower.
- Slotted overflow allows for deep soaking.
- Requires K-7271 or K-7272 Clearflo slotted overflow bath drain (sold separately).
- Center drain.

Material

- Acrylic

Installation

- Freestanding

Additional Hydrotherapy Options

- Soaking Bath - 5701-0
- Soaking Bath + music - 5701-2M
- Soaking Bath + music + Bask heated surface - 5701-2MW
- Soaking Bath + Bask heated surface - 5701-W1
- BubbleMassage air bath - 5702-G
- BubbleMassage air bath + music - 5702-G2M
- BubbleMassage air bath + music + Bask heated surface - 5702-G2MW
- BubbleMassage air bath + Bask heated surface - 5702-GW
- VibrAcoustic - 5702-VB
- VibrAcoustic + Bask heated surface - 5702-VBW

Required Products/Accessories

K-7271 Brass Slotted Overflow Bath Drain

or

K-7272 PVC Slotted Overflow Bath Drain

Recommended Products/Accessories

K-24916 Wireless Music Kit



Codes/Standards






CSA B45.5/IAPMO Z124

KOHLER® Plastic Baths and Receptors Lifetime Limited Warranty

See website for detailed warranty information.

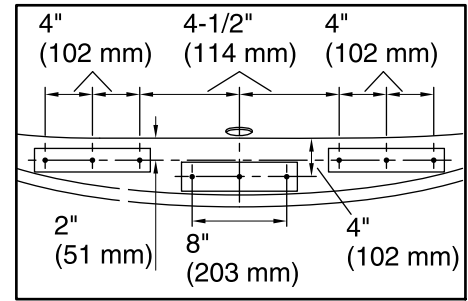
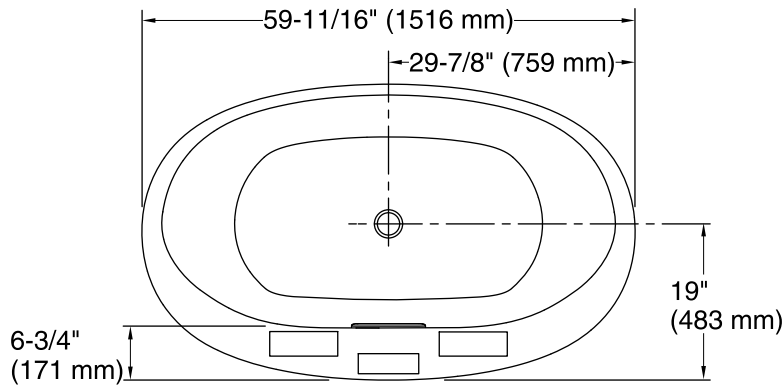
Available Colors/Finishes

Color tiles intended for reference only.

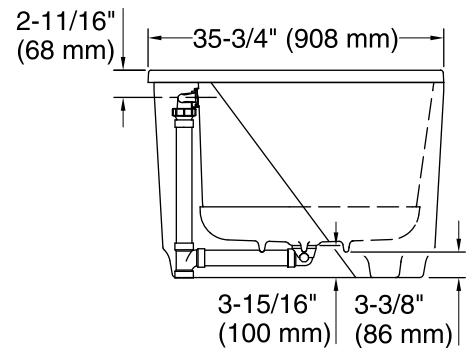
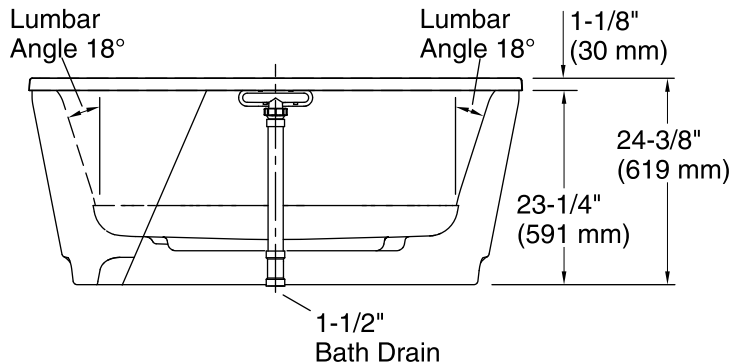
Color	Code	Description
	0	White
	96	Biscuit
	47	Almond
	NY	Dune
	G9	Sandbar

No change in measurements if connected with drain illustrated. (K-7272)

 Recommended Faucet Location



Recommended Faucet Hole Location



Technical Information

All product dimensions are nominal.

Installation:	Freestanding
Drain location:	Center
Basin area, bottom:	43" x 25-5/8" (1093 mm x 651 mm)
Basin area, top:	55-9/16" x 28-3/8" (1411 mm x 720 mm)
Weight:	81 lbs (36.7 kg)
Minimum floor load:	45.4 lbs/ft ² (221.7 kg/m ²)
Water depth:	16-5/16" (415 mm)
Water capacity:	72.017 gal (272.6 L)
Template:	Footprint, 1265462, not required, not included

Notes

Measure your actual product for rough-in details. Install this product according to the installation instructions.

The hot water supply should be 70% of the capacity of the bath or greater. Installations will vary.

If installing a rim-mount faucet, make sure there is no interference above or below the deck before drilling any holes.