

Features

- Beautifully translucent glass round basin.
- No faucet holes; requires wall- or counter-mount faucet.

Material

- Glass

Installation

- Above-counter or drop-in

Recommended Products/Accessories

- K-7107 Decorative Drain
- K-7108 Decorative Drain
- K-7129 Drain
- K-9033 Bottle Trap
- K-9655 Wall-Mount Vessel Bracket

Included Components

- Additional Components:
Installation Tape - 84938



ADA OBC

Codes/Standards

CSA B45.11/IAPMO Z401
CSA B45.5/IAPMO Z124
ADA
ICC/ANSI A117.1
OBC








KOHLER® One-Year Limited Warranty

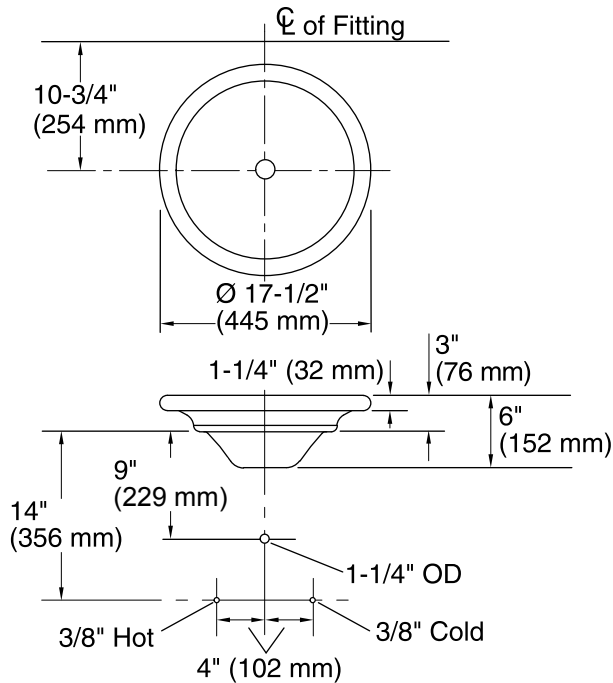
See website for detailed warranty information.

Available Colors/Finishes

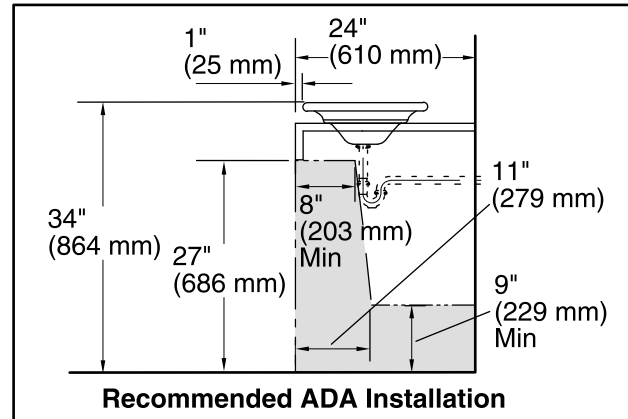
Color tiles intended for reference only.

| Color | Code | Description |
|-------|------|-------------|
|-------|------|-------------|

| | | |
|--|-----|------------------------|
|  | B11 | Ice |
|  | TG1 | Translucent Dusk |
|  | TG2 | Translucent Dew |
|  | TG3 | Translucent Doe |
|  | TG6 | Translucent Sapphire |
|  | TG7 | Translucent Sandalwood |
|  | TG8 | Translucent Stone |



Standard Installation



Recommended ADA Installation

Technical Information

All product dimensions are nominal.

| | |
|---------------------|---|
| Bowl configuration: | Single |
| Installation: | Vessel |
| Bowl area (Only): | Diameter: 15" (381 mm) Bowl depth: 5-1/2" (140 mm) Water depth: 5-1/2" (140 mm) |
| Template: | 115888-7, required, included |

Notes

Install this product according to the installation instructions.

Spout must be 5" (127 mm) long (min) for adequate clearance into lavatory when installed with centerline as shown.

Spout must be tall enough to clear 3" (76 mm) rim height and provide a 1" (25 mm) air gap per ASME A112.1.2.

Diagram is based on the K-9018 P-trap with a 1" (25 mm) tailpiece exposed.

ADA, OBC compliant when installed to the specific requirements of these regulations.