

Features

- Vertical blade handles accentuate the contemporary style.
- CleanCoat® technology creates a barrier between the water and glass to help keep your shower door looking new.
- Frameless, 5/16" (8 mm) thick Crystal Clear tempered glass door.
- Door tracking system features a hidden, cushioned, center guide for smooth, quiet sliding action.
- Innovative roller design simplifies installation and provides out-of-plumb adjustability.
- Frameless design emphasizes glass and creates a sleek, minimalist look.
- Smooth, easy-to-clean wall jambs.

Material

- Anodized aluminum hardware prevents rusting or corrosion.

Installation

- Out-of-plumb adjustability allows for simpler installation.
- Can be installed to open to the left or right.

Components

Additional included component/s: Hardware Kit.



Codes/Standards




ANSI Z97.1 (Tempered Glass)
CPSC 16CFR 1201

KOHLER® One-Year Limited Warranty

See website for detailed warranty information.

Available Color/Finishes

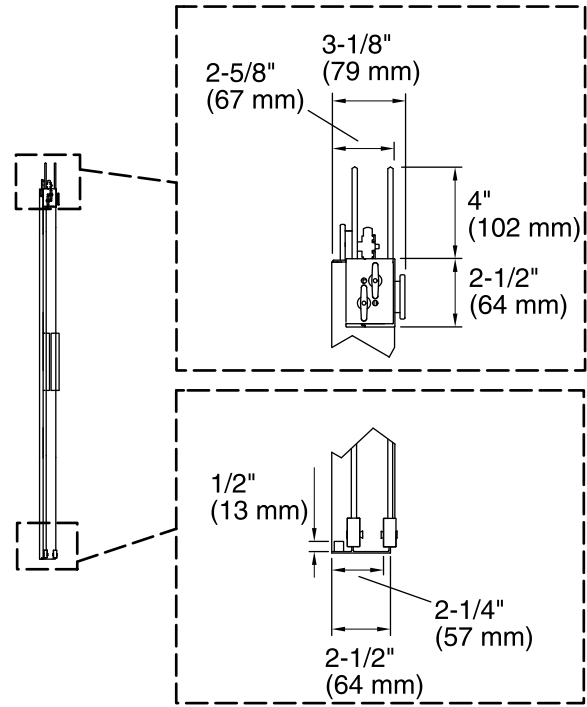
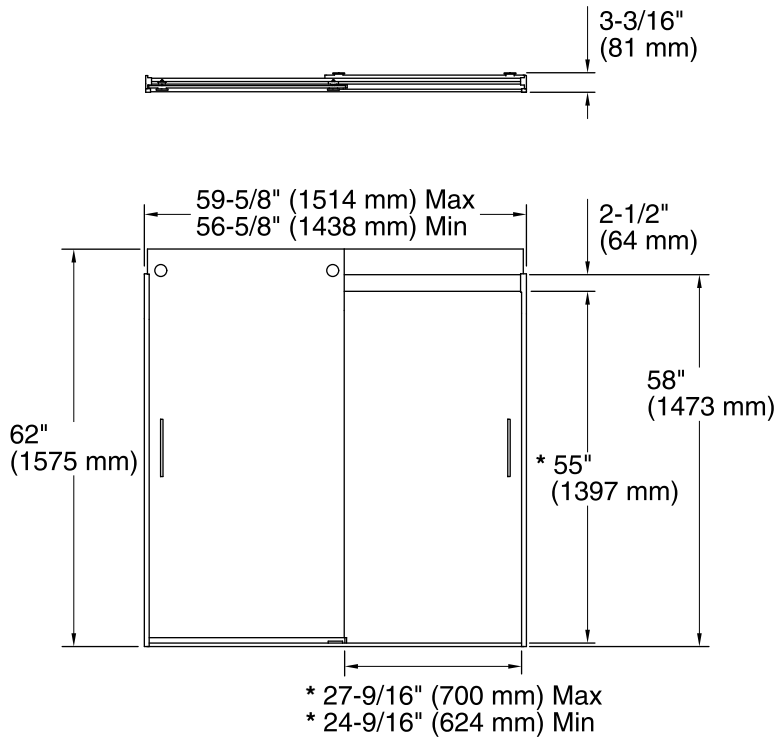
Color tiles intended for reference only.

| Color | Code | Description |
|--|------|------------------------|
|  | SHP | Bright Polished Silver |
|  | NX | Brushed Nickel |
|  | ABZ | Anodized Dark Bronze |

Available Glass Options

| Code | Description |
|------|-------------|
|------|-------------|

| | |
|--|---------------|
| | Crystal Clear |
|--|---------------|



*** Walk-Through**

Technical Information

All product dimensions are nominal.

- Installation type: For bath installation
 Opening style: Sliding/Bypass
 Opening Width - Min: 56-5/8" (1438 mm)
 Opening Width - Max: 59-5/8" (1514 mm)
 Walk-through - Min: 24-9/16" (624 mm)
 Walk-through - Max: 27-9/16" (700 mm)
 Glass thickness: 5/16" (8 mm)
 Glass coating: CleanCoat®

Notes

- Install this product according to the installation guide.
 The vertical opening should be a minimum of 64-1/2" (1638 mm) to allow for installation clearance.