



Ensemble™

60" Curve Shower w/Backer Boards

72230106



Features

- Alcove installation
- 4-1/2" threshold
- Solid Vikrell material
- Durable high-gloss finish
- Center drain
- Three-piece, tongue-and-groove walls with snap-together installation; realistic tile look
- Some caulk required
- Convenient shelves, shaving ledge/footrest
- Aging in Place backerboards

Recommended Products/Accessories

- 5375EZ-57 Frameless Sliding Shower Door
- 5475-59 Frameless Sliding Shower Door
- 5477-59 Frameless Sliding Shower Door
- 5970-59 Framed Sliding Shower Door
- 5975-59 Framed Sliding Shower Door
- 5976-59 Framed Sliding Shower Door
- 5977-59 Framed Sliding Shower Door
- 547808-59 Frameless Bypass Shower Door
- 572075-59 Framed Sliding Shower Door
- 581075-59 Frameless Sliding Shower Door
- 80001012 12" Grab Bar
- 80001018 18" Grab Bar
- 80001024 24" Grab Bar
- 80011032 32" Grab Bar
- 80001036 36" Grab Bar

Included Components

- Product consists of:
- 72205106 34" shower end wall set with backer boards
 - 72131100 60" Shower Base
 - 72232106 60" Back Wall w/Backer Boards



Codes/Standards



- CSA B45.5/IAPMO Z124
- ASTM E162
- ASTM E662
- Greenguard UL 2818 - Gold
- HUD, UM Bulletin 73

Warranty – Bathing Fixtures (and) Kitchen and Utility Sinks Made of Solid Vikrell® Material

See website for detailed warranty information.

Available Colors/Finishes

Color tiles intended for reference only.

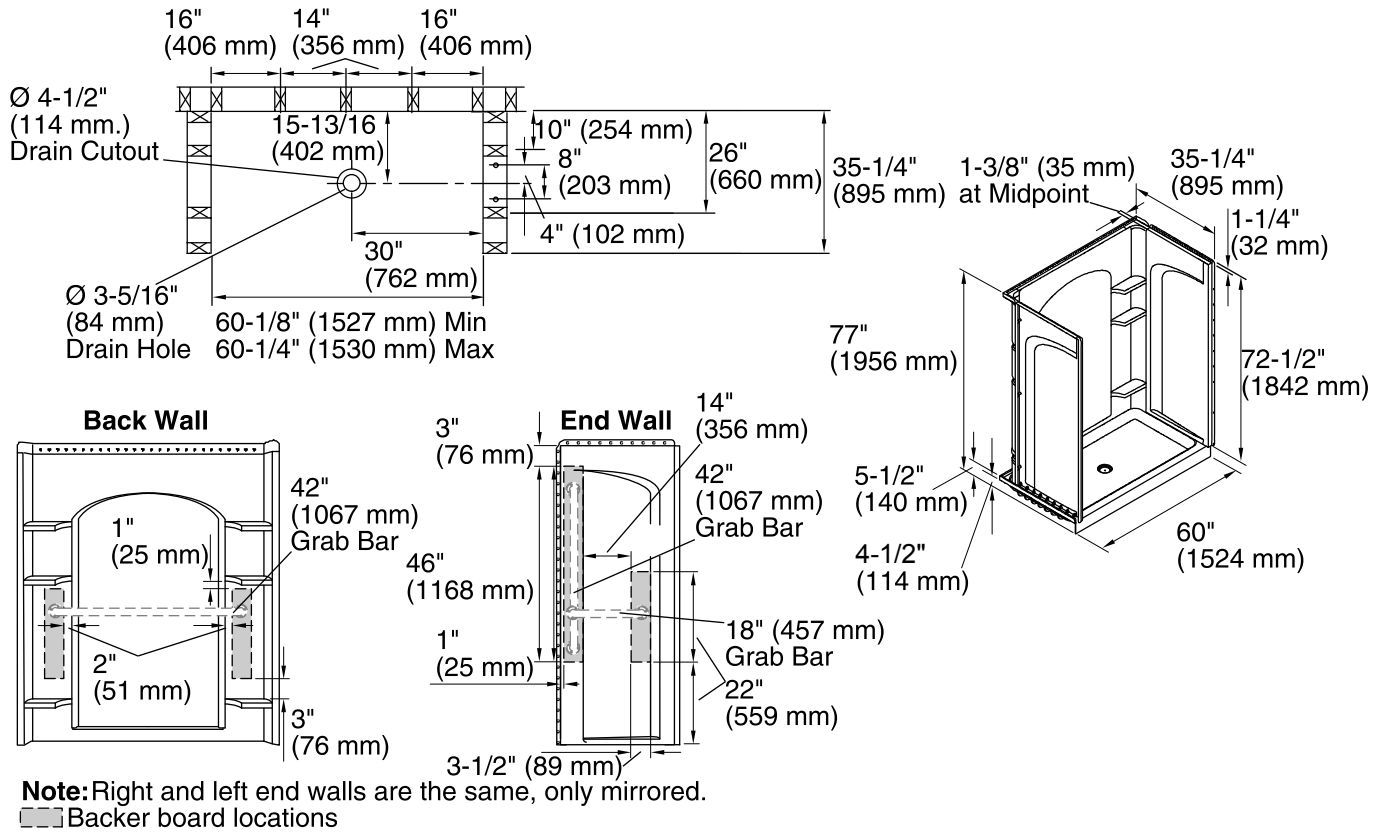
Color	Code	Description
	0	White
	96	KOHLER Biscuit

1-800-STERLING (1-800-783-7546)

Kohler Co. reserves the right to make revisions without notice to product specifications.

For the most current Specification Sheet, go to www.sterlingplumbing.com.

4-26-2019 00:46 - US



Technical Information

All product dimensions are nominal.

- Installation: Three-wall alcove
- Drain location: Center
- Minimum flat for door: 3" (76 mm)
- Threshold height: 4-1/2" (114 mm)
- Maximum door height: 70-1/2" (1791 mm)
- Maximum door width: 56-5/8" (1438 mm)

Notes

- Install this product according to the installation instructions.
- Studs should be positioned roughly as shown.
- Double studding is recommended for pivot shower door installations.
- Attach grab bars at the specified backer board locations only.