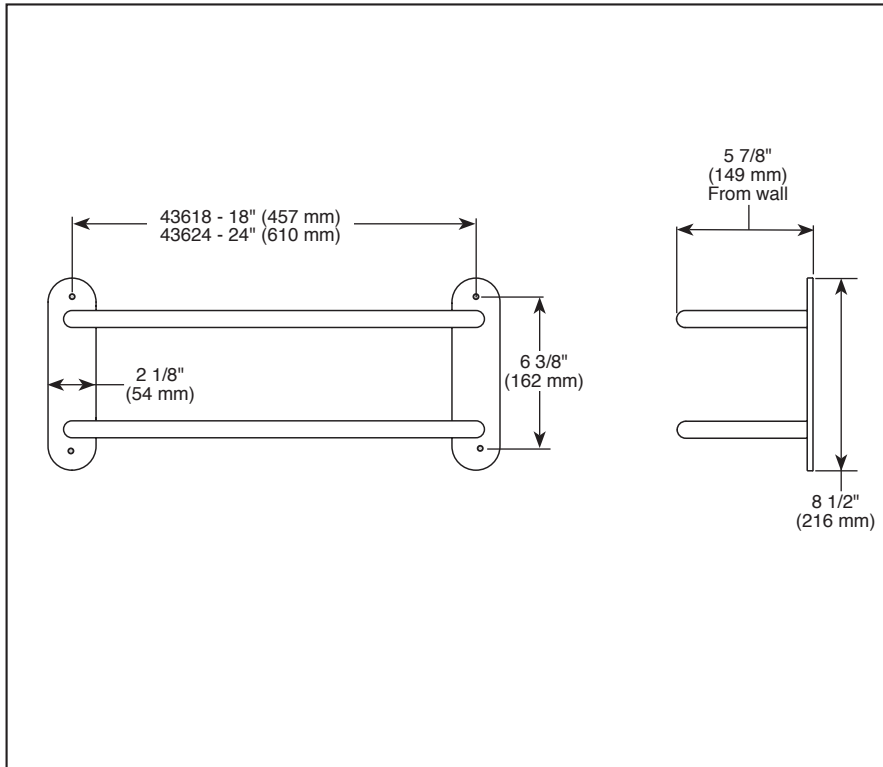


Submitted Model No.: \_\_\_\_\_

Specific Features: \_\_\_\_\_



▲ Designate Proper Finish Suffix

## ACCESSORIES

### ■ Towel Shelf

#### STANDARD SPECIFICATIONS:

- Stainless steel substrate.
- Towel shelf with one bar.
- Exposed mounting.
- Pre-Assembled.
- Wood blocking is preferable behind all wall surfaces. If wood blocking is not available, the following fasteners are suggested: Tile/Masonry-plastic or lead anchors plaster/drywall-Toggle bolts.
- Mounting hardware included with product.

#### WARRANTY

- Lifetime limited warranty on parts (other than electronic parts and batteries) and finishes; or, for commercial users, for 5 years from the date of purchase.
- 5 year limited warranty on electronic parts (other than batteries); or for commercial users, for 1 year from the date of purchase. No warranty is provided on batteries.